



# Hydraflex WS

## Rubber Water Stop

### Description

Hydraflex WS is a rubber water stop specially designed to be used at construction and expansion joints for different stages of concrete pour for waterproofing purposes. Place of application are usually at under ground or under water structures such as swimming pool, water reservoir, canal, water gate, dam, dike, retain wall etc.

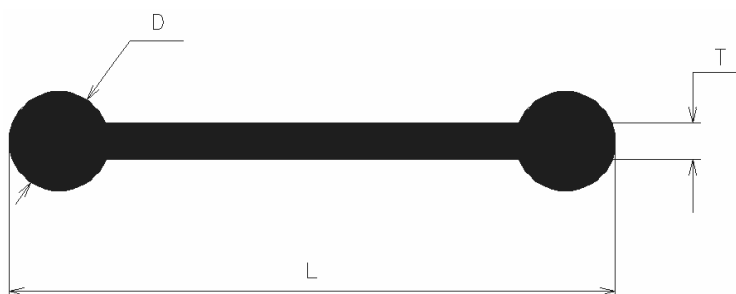
Hydraflex WS is made of either natural rubber or synthetic rubber with quality in accordance to international standard requirement. It is highly flexible and resistance to oil, corrosion and heat etc.

### Instruction for Use

- Install fittings on the water stop at 35 cm apart in alternate positions.
- Wire through the holds on fittings and tie up to the reinforcement framework. Make sure the middle level of water should be the same as the first concrete pour.
- Pour concrete as required. After pouring, check the level of water stop and adjust to the correct position it necessary before the concrete is cured.
- After the first concreting is fully cured, concrete in next stage of concreting.

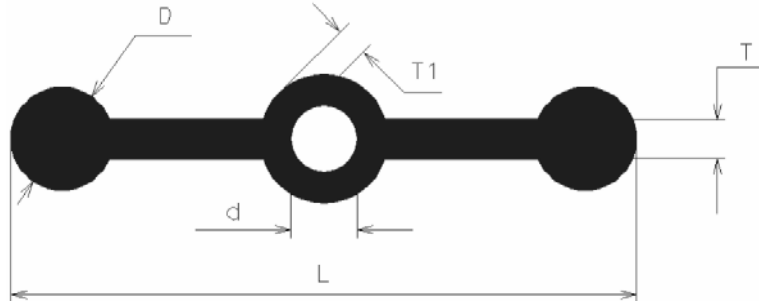
### Type of Hydraflex WS

#### 1. Dumbbell Type



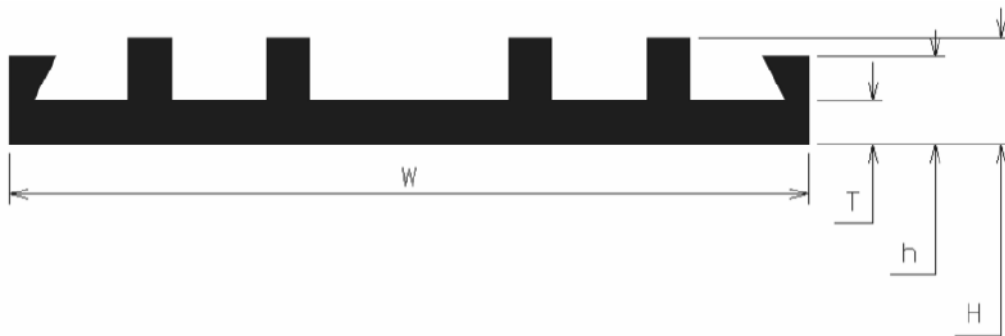
Type	L, mm	T, mm	D, mm
DT-4	100	6.2	15
DT-45	100	4.7	8
DT-6	150	9.5	19
DT-65	150	94.7	12.8
DT-8	200	9.5	19
DT-85	200	4.7	12.8
DT-9	230	9.5	25
DT-95	230	4.7	19
DT-10	255	9.5	2.5
DT-105	255	4.7	19
DT-12	265	12.6	26
DT-125	305	6.2	19

## 2. Center Bulb Type

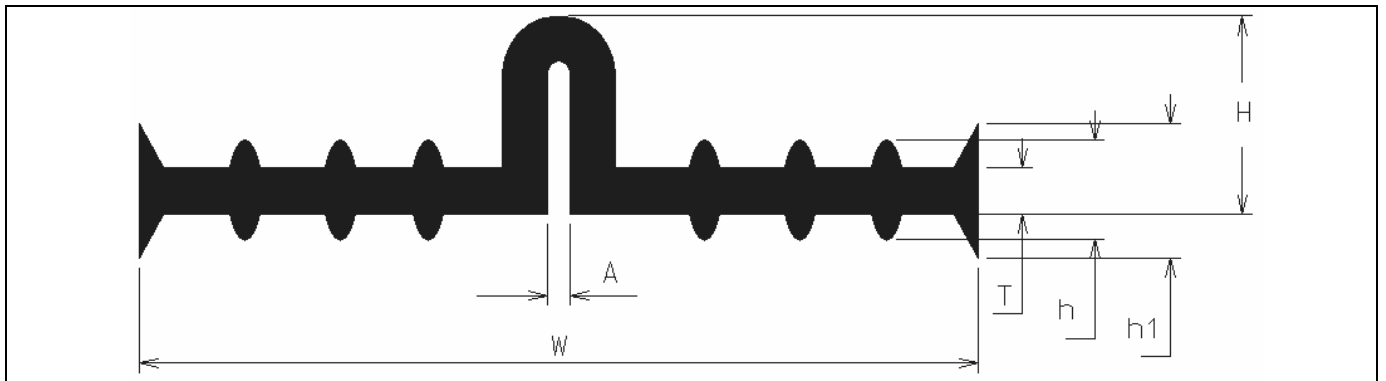


Type	L, mm	T, mm	T1, mm	D, mm	d, mm
CT-4	100	6.2	4.7	14	19
CT-45	100	4.7	4.7	8	12.7
CT-4.5	114	6.2	4.7	15	19
CT-6	150	9.5	4.7	19	16
CT-65	150	4.7	4.7	12.5	19
CT-8	150	9.5	6.2	19	19
CT-85	200	4.7	4.7	11	9.5
CT-9	200	9.5	9.5	25	19
CT-95	230	4.7	4.7	11	9.5
CT-10	255	9.5	9.5	25	19
CT-105	255	4.7	4.7	11	9.5
CT-12	305	12.5	9.5	25	19
CT-125	305	6.2	11	11	9.5

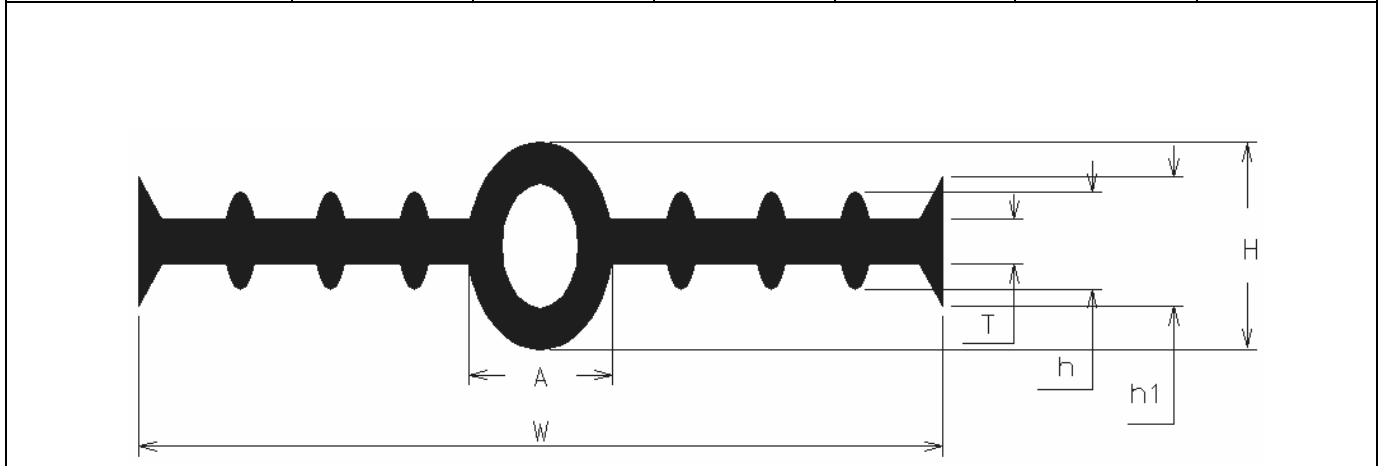
## 3. High Efficiency Type



Type	W, mm	T, mm	h, mm	H, mm
HET-01	150	4.5	10	15
HET-02	200	4.5	10	15



Type	W, mm	T, mm	A, mm	h, mm	h1, mm	H, mm
HET-03	150	4.5	6	10	15	20
HET-04	200	4.5	6	10	15	20
HET-05	230	9.5	11	15	20	25



Type	W, mm	T, mm	A, mm	h, mm	h1, mm	H, mm
HET-06	150	4.5	18	10	15	25
HET-07	200	4.5	18	10	15	25

**Act (Thailand) Co., Ltd.**

Address : 19 Moo 1 Kubangluang  
 Lardlumkaew Pathumthai 12140  
 Tel. : (66)-0-2979-4446-9 , (66)-0-29794936-9  
 Fax. : (66)-0-2979-4445  
 Email : [info@actthai.com](mailto:info@actthai.com)  
 Web Site : <http://www.actthai.com>

Non-warranty. The information contained herein is believed to be reliable to the best of our knowledge. However, all recommendations are made without guarantee of performance and with warranty of freedom from legal responsibility including patent liability on the part of Act (Thailand) Co., Ltd